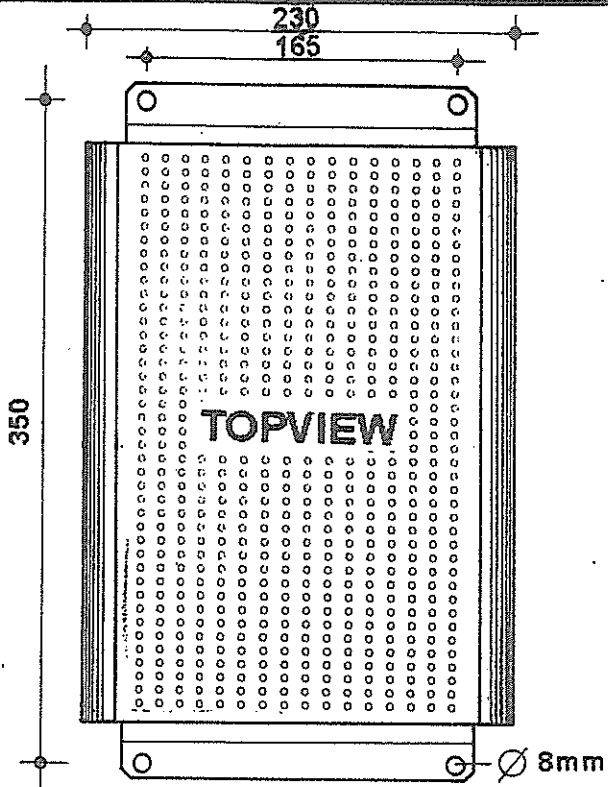


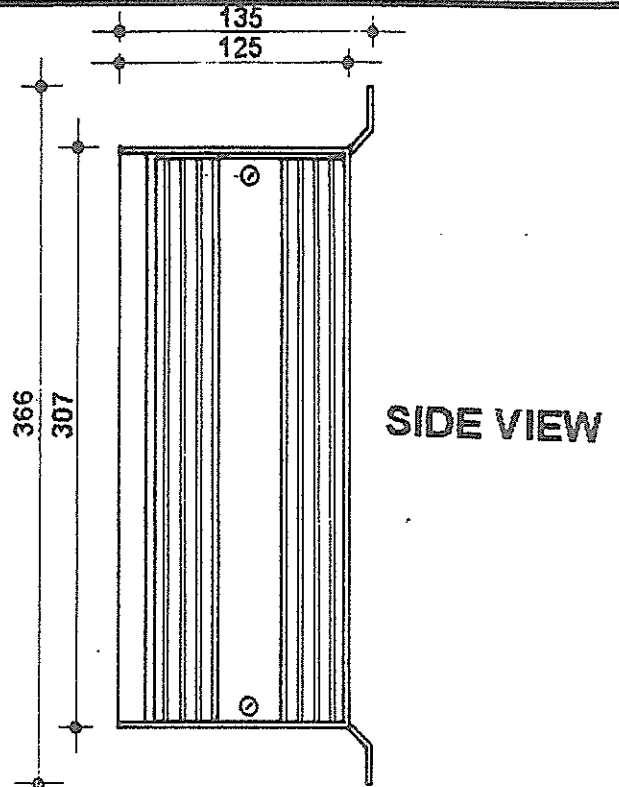
REGULATED UNIT

P2

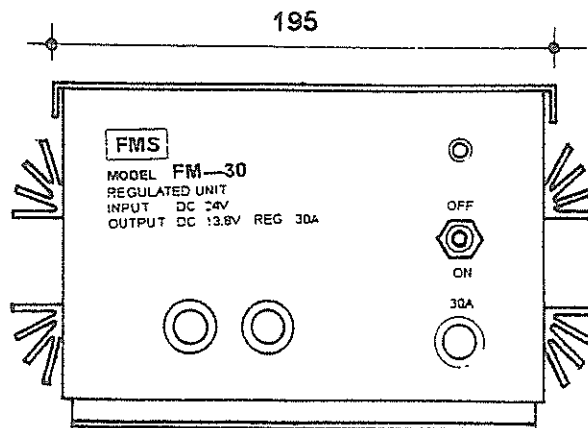
MODEL : FM-30
INPUT : DC 24V
OUTPUT : ISOLATED DC 13.8V REG.30 AMP. INT. LOAD
DIMENSION : H 135, W 230, D 350 MM
WEIGHT : 5 KG



SCALE 1 : 40



SCALE 1 : 40



FRONT VIEW

SCALE 1 : 30