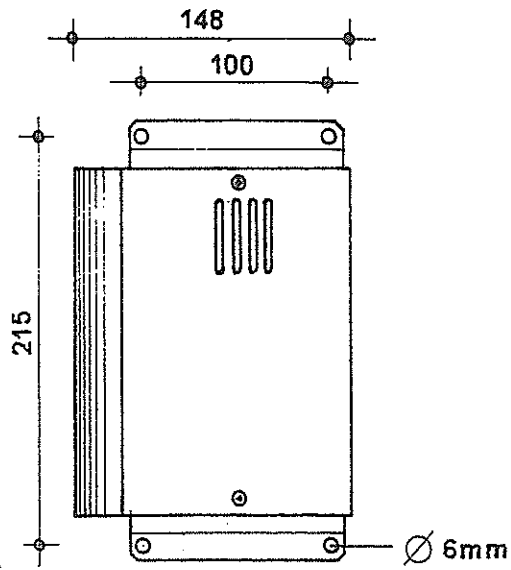


# REGULATED UNIT

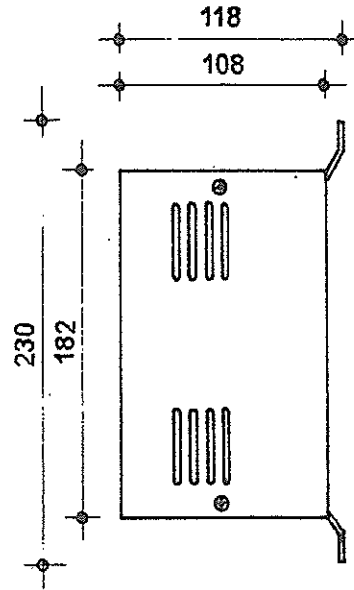
P1

MODEL : FM-11  
INPUT : DC 24V  
OUTPUT : ISOLATED DC 13.8V REG.7 AMP. INT. LOAD  
DIMENSION : H 118, W 148, D 215 MM  
WEIGHT : 2 KG



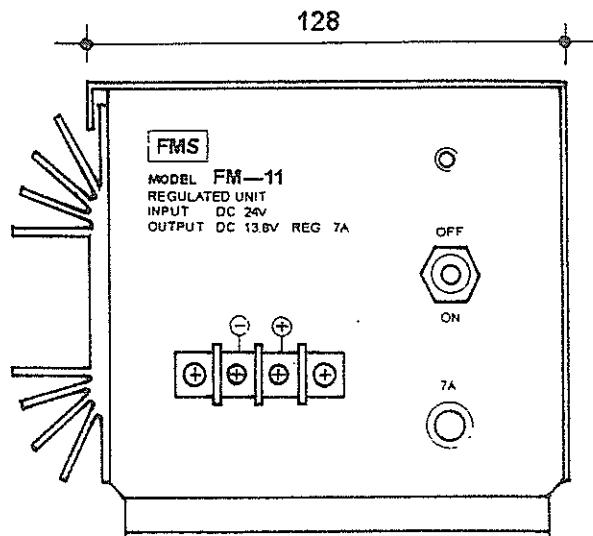
**TOPVIEW**

SCALE 1 : 40



**SIDE VIEW**

SCALE 1 : 40



**FRONT VIEW**

SCALE 1 : 20