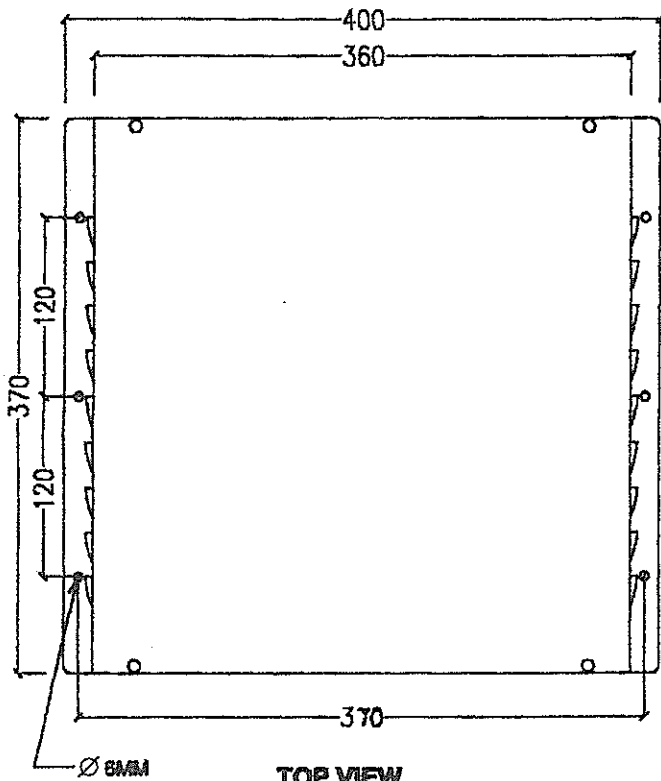


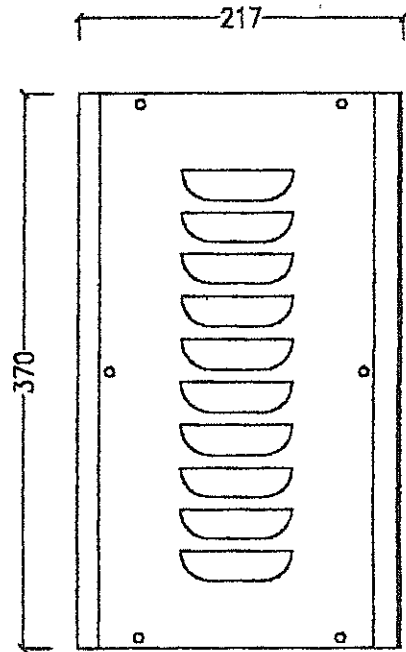
POWER CONVERTER

P17

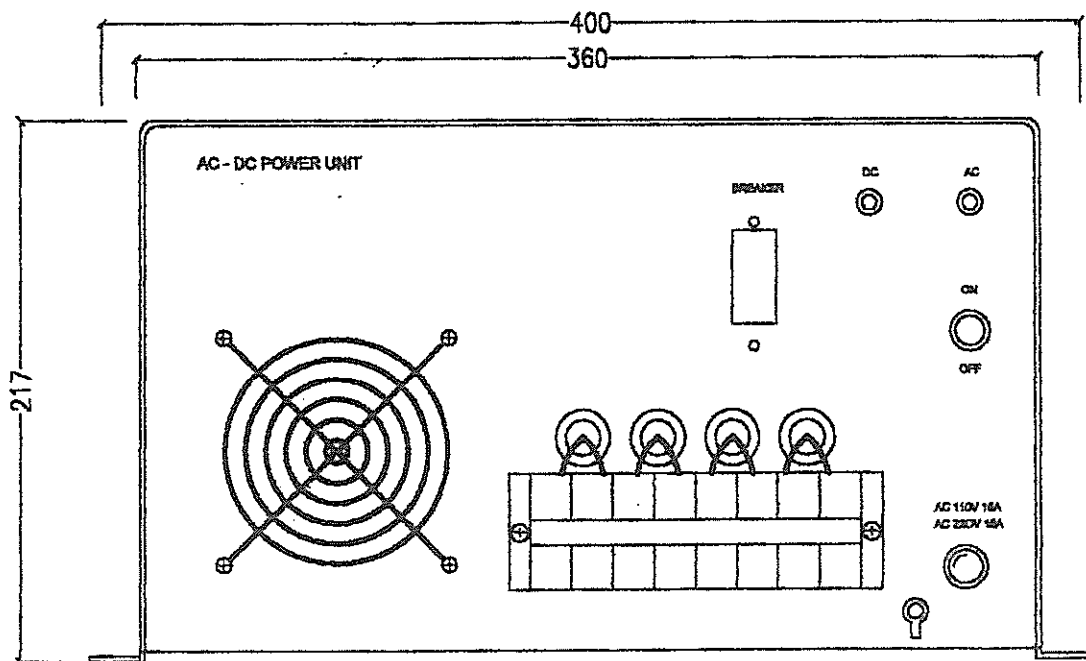
MODEL : FM-250AD
INPUT : 110/220V AC (SELECTABLE) 50/60 HZ & DC 24V
OUTPUT : ISOLATED DC 24V REG.40 AMP. INT. LOAD
DIMENSION : H 217, W 400, D 370 MM
WEIGHT : 27 KG



TOP VIEW
SCALE 1 : 5



SIDE VIEW
SCALE 1 : 5



FRONT VIEW
SCALE 1 : 3