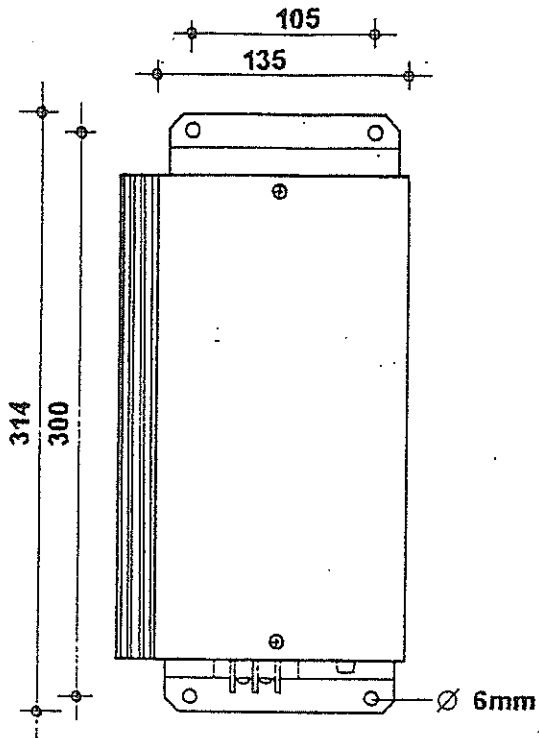


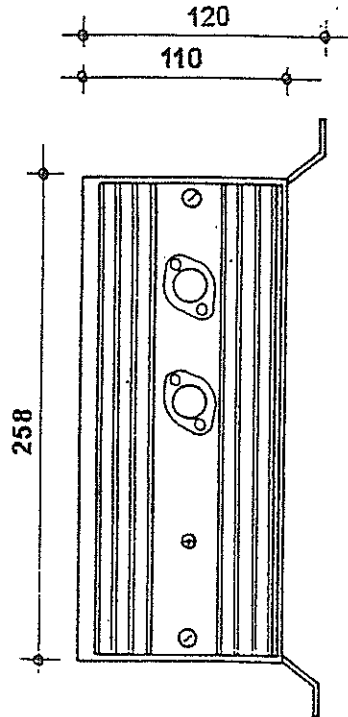
POWER CONVERTER

P5

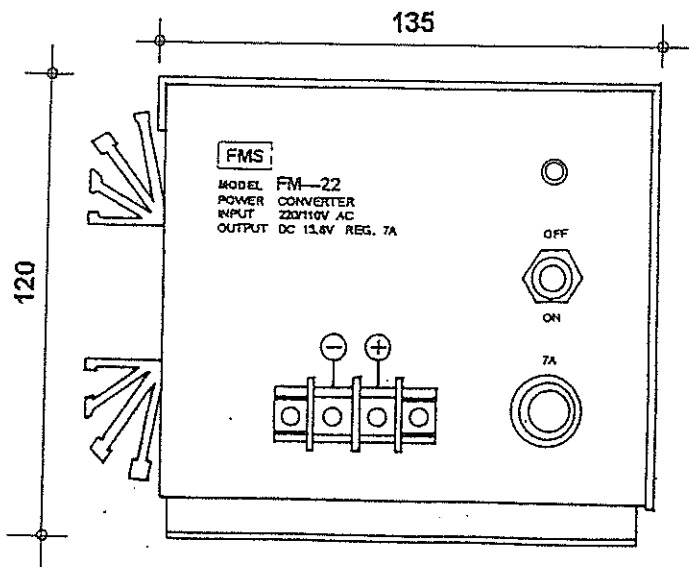
MODEL : FM-22
INPUT : 110/220V AC (SELECTABLE) 50/60 HZ
OUTPUT : ISOLATED DC 13.8V REG.7 AMP. INT. LOAD
DIMENSION : H 120, W 135, D 314 MM
WEIGHT : 5 KG



TOPVIEW
SCALE 1 : 40



SIDE VIEW
SCALE 1 : 40



FRONT VIEW
SCALE 1 : 20