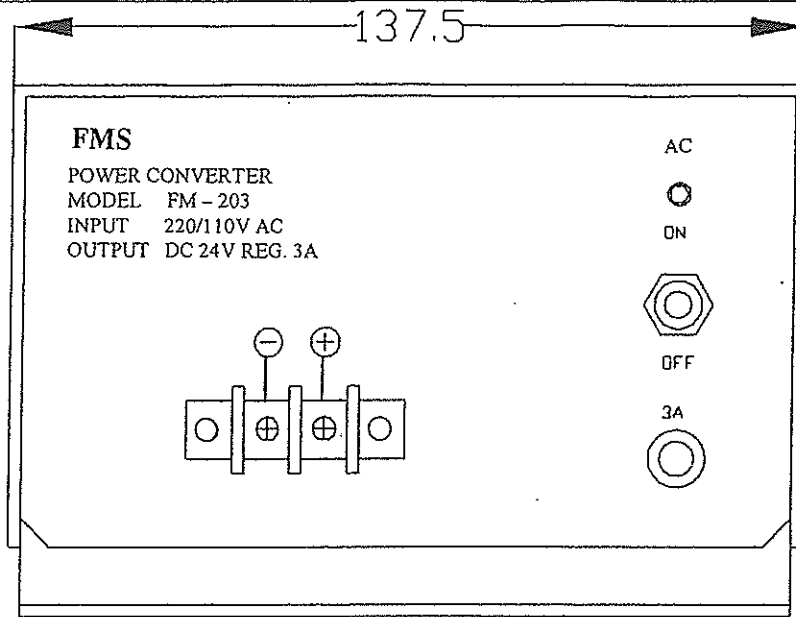


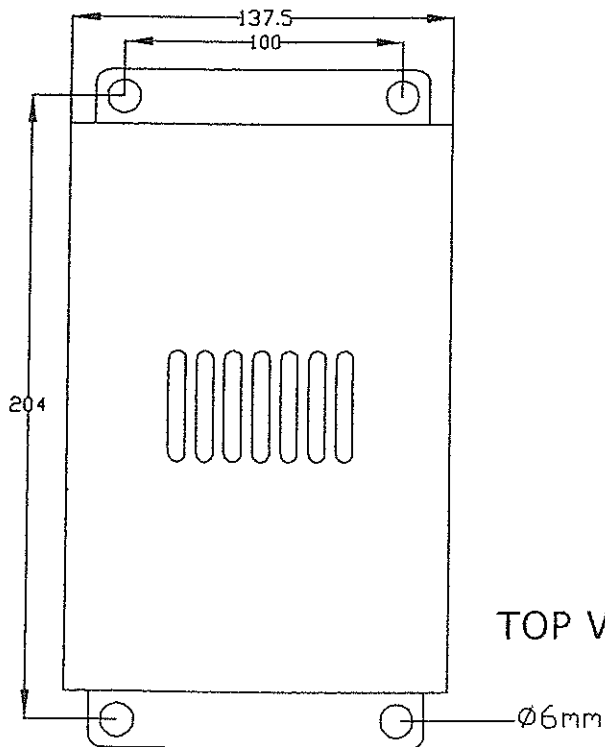
POWER CONVERTER

P9

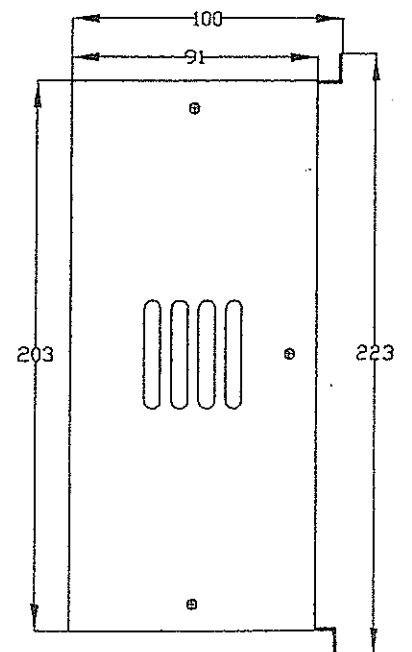
MODEL : FM-203
INPUT : 110/220V AC (SELECTABLE) 50/60 HZ
OUTPUT : ISOLATED DC 24V REG.3 AMP. INT. LOAD
DIMENSION : H 100, W 137.5, D 223 MM
WEIGHT : 3 KG



FRONT VIEW



TOP VIEW



SIDE VIEW